

**BALDOR® • RELIANCE** 

**Product Information Packet**

**EM44156T-4**

**150HP, 1190RPM, 3PH, 60HZ, 447T, A44120M, TEFC**

Part Detail							
Revision:	K	Status:	PRD/A	Change #:		Proprietary:	No
Type:	AC	Elec. Spec:	A44WG1555	CD Diagram:	416820-008	Mfg Plant:	
Mech. Spec:		Layout:	617427-002	Poles:	06	Created Date:	08-14-2012
Base:		Eff. Date:	01-15-2020	Leads:	6#2		

Specs			
Catalog Number:	EM44156T-4	Heater Indicator:	No Heater
Enclosure:	TEFC	Insulation Class:	F
Frame:	447T	Inverter Code:	Inverter Ready
Frame Material:	Iron	KVA Code:	F
Output @ Frequency:	150.000 HP @ 60 HZ	Lifting Lugs:	No Lifting Lugs
Synchronous Speed @ Frequency:	1200 RPM @ 60 HZ	Motor Lead Quantity/Wire Size:	6 @ 2 AWG
Voltage @ Frequency:	460.0 V @ 60 HZ	Motor Type:	A44120M
XP Class and Group:	None	Mounting Arrangement:	F1
XP Division:	Not Applicable	Power Factor:	86
Agency Approvals:	CCSA US	Pulley End Bearing Type:	Ball
	CSA EEV	Pulley Face Code:	Standard
Auxillary Box:	No Auxillary Box	Shaft Ground Indicator:	No Shaft Grounding
Base Indicator:	Rigid	Shaft Rotation:	Reversible
Bearing Grease Type:	Polyrex EM (-20F +300F)	Shaft Slinger Indicator:	Shaft Slinger
Current @ Voltage:	170.000 A @ 460.0 V	Speed Code:	Single Speed
Design Code:	B	Motor Standards:	NEMA
Drip Cover:	No Drip Cover	Starting Method:	Wye Start - Delta Run
Duty Rating:	CONT	Thermal Device - Bearing:	None

<b>Feedback Device:</b>	NO FEEDBACK	<b>Thermal Device - Winding:</b>	None
-------------------------	-------------	----------------------------------	------

Nameplate NP2383L									
CAT.NO.	EM44156T-4			SPEC NO.	P44G3910				
HP	150	AMPS	170	VOLTS	460	DESIGN	B		
FRAME	447T	RPM	1190	HZ	60	AMB	40	SF	1.15
DRIVE END BEARING	90BC03J30X		PHASE	3	DUTY	CONT		INSUL.CLASS	F
OPP D.E. BEARING	90BC03J30X		TYPE	P	ENCL	TEFC	CODE	F	
SER.NO.				POWER FACTOR	86	NEMA-NOM-EFFICIENCY	95.8		
NEMA NOM/CSA QUOTED EFF				MAX CORR KVAR	25.0	GUARANTEED EFFICIENCY	95.0		
				MOTOR WEIGHT					

Parts List		
Part Number	Description	Quantity
SA249404	SA P44G3910	1.000 EA
RA236269	RA P44G3910	1.000 EA
NP2383L	SUPER-E ,SS, CC, CSA-C US, CSA EEV	1.000 EA
000692000FF	N/P	1.000 EA
000692000VD	LABEL WARNING	1.000 EA
412118006A	DRAIN	2.000 EA
004824015A	GREASE POLYREX EM	1.156 LB
032018008CK	HHCS 3/8-16X1L PLATED	4.000 EA
032018020FK	HHCS 3/4-10X2-1/2 PLTD.	4.000 EA
032018030DK	HHCS 1/2-13X3-3/4 PLTD.	3.000 EA
032620016LA	SOCKET SET SCREW-449	3.000 EA
032018030DK	HHCS 1/2-13X3-3/4 PLTD.	3.000 EA
034017014AB	LCKW 3/8 STD. PLATED	4.000 EA
034180014DA	KEY 1/4X1/4X1-3/4 L	1.000 EA
034530064AB	P/NIP 1/8 X 8" L Pipe Nipple	1.000 EA
034530064BB	P/NIP 1/4X8 PLATED	1.000 EA
034630002AB	CPLG 1/4" PLATED	1.000 EA
034690002AB	PPLG 1/4" PLTD.	1.000 EA
034690005AB	PPLG 3/4 PLATED	2.000 EA
078549001DA	FAN 400 078549001F	1.000 EA
083199126RA	G28 MOLDED FAN COVER W/BAFFLE ASSEMBLY	1.000 EA
089490099A	G28 BRKT 089490098WCA KB	1.000 EA
410700004A	WSHR	1.000 EA
415045002A	SLGR	1.000 EA

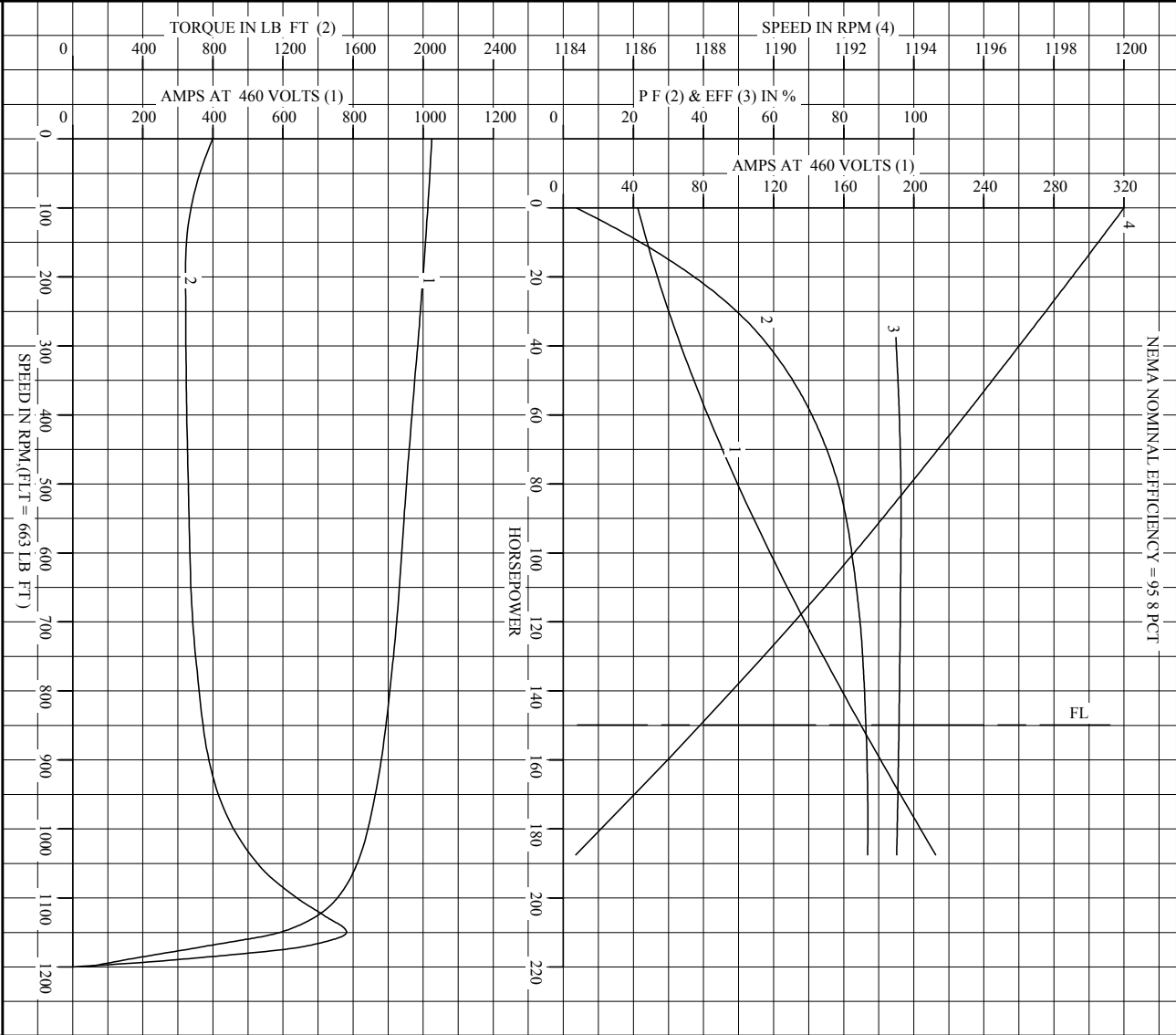
Parts List (continued)		
Part Number	Description	Quantity
415072001B	CLAMP	1.000 EA
415096002A	CPLG 1/8 HEX TYPE	1.000 EA
032018004BK	HHCS 5/16-18X1/2 PLATED	3.000 EA
032018020FK	HHCS 3/4-10X2-1/2 PLTD.	4.000 EA
034017013AB	LCKW 5/16 STD. PLATED	3.000 EA
034530044AB	P/NIP 1/8X5-1/2L GALV.	1.000 EA
034530044BB	P/NIP 1/4X5-1/2L PLT	1.000 EA
034630002AB	CPLG 1/4" PLATED	1.000 EA
034690002AB	PPLG 1/4" PLTD.	1.000 EA
089490099A	G28 BRKT 089490098WCA KB	1.000 EA
415045002E	SLGR	1.000 EA
415096002A	CPLG 1/8 HEX TYPE	1.000 EA
415915007G	GASK, LAC	1.000 FT
418151014G	RETAIN RING	1.000 EA
702623013A	THERMAL BARRIER -- G28 -- BRACKET MTD	1.000 EA
032018008BK	HHCS 5/16-18X1L PLATED	4.000 EA
032018008DK	HHCS 1/2-13X1 PLATED	4.000 EA
033512004LB	HHTTS 1/4-20X1/2 PLTD.	1.000 EA
035000001A	ALFTG 1/8" 1610-BL	1.000 EA
035000001A	ALFTG 1/8" 1610-BL	1.000 EA
067053014A	GASK 440	1.000 EA
076870000B	+CBCST BLKT - 440	1.000 EA
076871000A	+CBOX CVR BLKT - 449	1.000 EA
406056007A	GASKET, 440	1.000 EA

Product Information Packet: EM44156T-4 - 150HP,1190RPM,3PH,60HZ,447T,A44120M,TEFC

406099000A	PLUG - FAN COVER 320-440	1.000 EA
415000103D	T/LUG #4AWG-1/0AWG W/HOLE FOR .250 BOLT	1.000 EA
418150003A	GREASE FITTING CAP	1.000 EA
MG1025Y17	WILKOFAS, 789.701, SUPER E PEARL GOLD	0.375 GA
418150003A	GREASE FITTING CAP	1.000 EA
033775004EA	DRSCR #6-1/4 304 S.S.	2.000 EA
034180054KA	7/8 SQ X 6.75 KEY	1.000 EA
421948044	LABEL, MYLAR	1.000 EA
000613006PU	N/P (RELEASE QTY 10,000) UL CSA LABEL	1.000 EA

<b>Accessories</b>		
<b>Part Number</b>	<b>Description</b>	<b>Multiplier</b>
089490110A	D-FLANGE BRKT, G28 089490109WCA	P1
089490106A	G28 C-FACE BRKT MACH-6318 089490105WCA	P1

REL S.O. \_\_\_\_\_ RPM 1190 S.F. 1.15 ROTOR 418143080ME  
 FRAME 447T VOLTS 460 NEMA DESIGN B TEST S.O. CALCULATED DATA  
 HP 150 AMPS 172 CODE LETTER G TEST DATE ---  
 TYPE P DUTY CONT ENCLOSURE FCXE STATOR RES. @ 25 °C .0324  
 PHASE/HERTZ 3/60 AMB °C/INSUL 40/F E/S 833174 OHMS (BETWEEN LINES)



AMPERES SHOWN FOR 460 VOLT CONNECTION, IF OTHER VOLTAGE CONNECTIONS ARE AVAILABLE, THE AMPERES WILL VARY INVERSELY WITH THE RATED VOLTAGE.

**BALDOR**  
 A MEMBER OF THE ABB GROUP

DR. BY T.G. KEATI  
 CK. BY J.H. HARRISON  
 APP. BY T.G. KEATI  
 DATE 06/14/2011

**A-C MOTOR**  
**PERFORMANCE**  
**CURVES**

A44W/G1555-R001  
 ISSUE DATE 06/14/2011

Printed on 6/14/11 16:07 @ ragsun


REL. S.O.	FRAME	HP	TYPE	PHASE/HERTZ	RPM	VOLTS
	447T	150	P	3/60	1190	460
AMPS	DUTY	AMB °C/ INSUL.	S.F.	NEMA DESIGN	CODE LETTER	ENCL.
172	CONT	40/F	1.15	B	G	FCXE
E/S	ROTOR	TEST S.O.	TEST DATE	STATOR RES. @25 °C (OHMS (BETWEEN LINES))		
833174	418143080ME	---	---	.0324		

PERFORMANCE						
LOAD	HP	AMPERES	RPM	POWER FACTOR %	EFFICIENCY %	
NO LOAD	0	42.5	1200	3.70	0	
1/4	37.6	65.5	1197	56.6	94.9	
2/4	75.1	94.9	1194	76.9	96.3	
3/4	112	130	1191	83.9	96.2	
4/4	150	170	1188	86.3	95.8	
5/4	188	213	1184	86.8	95.1	

SPEED TORQUE						
	RPM	TORQUE % FULL LOAD	TORQUE LB.-FT.	AMPERES		
LOCKED ROTOR	0	121	799	1025		
PULL UP	180	97.2	644	1002		
BREAKDOWN	1150	236	1563	592		
FULL LOAD	1188	100	663	170		

AMPERES SHOWN FOR 460. VOLT CONNECTION. IF OTHER VOLTAGE CONNECTIONS ARE AVAILABLE, THE AMPERES WILL VARY INVERSELY WITH THE RATED VOLTAGE

REMARKS: CALCULATED DATA  
NEMA NOMINAL EFFICIENCY = 95.8 PCT.

 A MEMBER OF THE ABB GROUP	DR. BY T.G.KELAVI	<b>A-C MOTOR</b> <b>PERFORMANCE DATA</b> A44WG1555-R001 ISSUE DATE 06/14/20
	CK. BY J.J.HARRISON APP. BY T.G.KELAVI DATE 06/14/2011	

617427-002

## DUTY MASTER ALTERNATING CURRENT MOTORS

SQUIRREL-CAGE INDUCTION

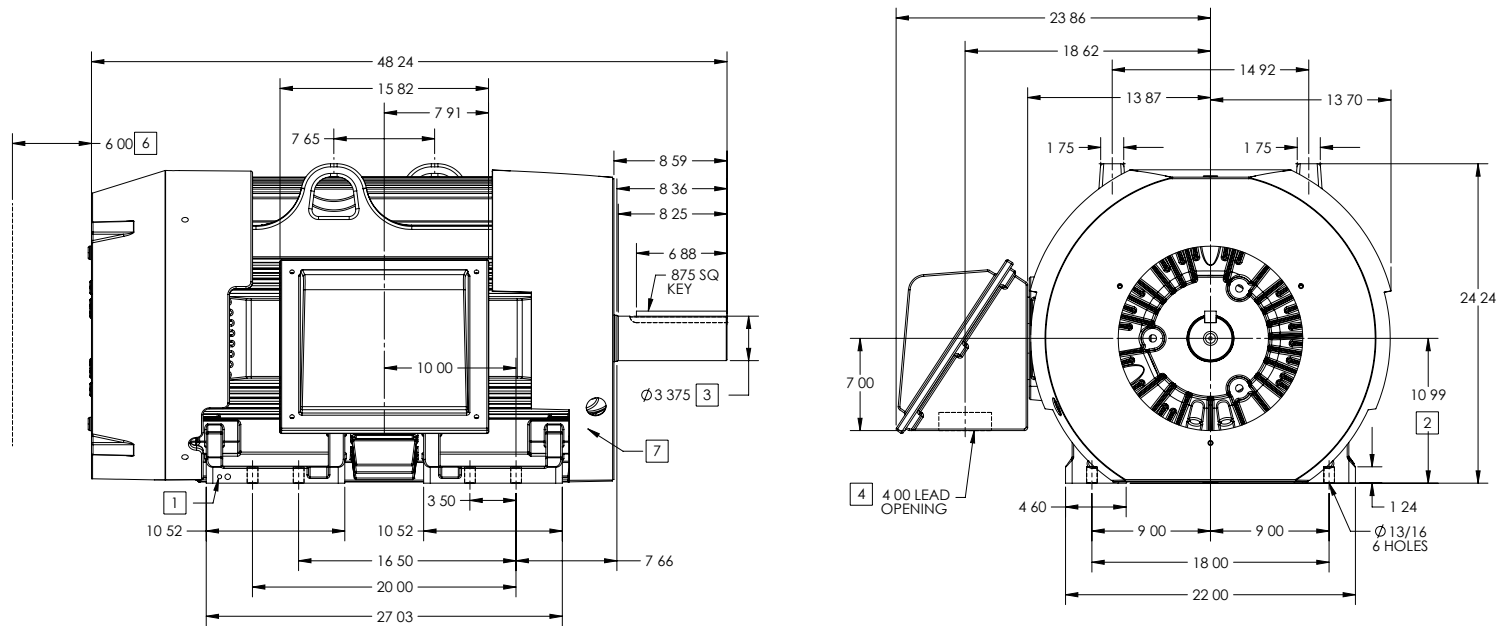
ENCLOSURE: TOTALLY ENCLOSED

FRAME G447T ABOVE NEMA RATINGS

COOLING: FAN COOLED

MOUNTING: FOOT

INCLUDES 445T FRAME MOUNTING HOLES



- 1 GROUND HOLES QTY 1 1/2-13 TAP; QTY 1 3/8-16 TAP
- 2 VARIES + 00 - 06
- 3 VARIES + 000 - 001
- 4 ON STANDARD MOTORS THIS IS CONDUIT SIZE ON XT AND CORROSION PROOF MOTOR THIS IS PIPE TAP
- 5 MOTOR WEIGHTS MAY VARY BY 15% DEPENDING ON RATING
- 6 OBSTRUCTION MUST NO ENCROACH ON AIR INLET
- 7 AIR DEFLECTOR INSTALLED WHEN REQUIRED

CONDUIT BOX LOCATED ON OPPOSITE SIDE WHEN F-2  
 IF MOUNTING CLEARANCE DETAILS ARE REQUIRED CONSULT FACTORY  
 MAXIMUM PERMISSIBLE SHAFT RUNOUT WHEN MEASURED AT END OF  
 STANDARD SHAFT EXTENSION IS .003 T I R TO 5 INCH DIA

**5** WEIGHT (LBS): 2515

DRIVE END AIR DEFLECTOR IS ONLY INCLUDED WHEN NECESSARY

DIMENSIONS ARE IN INCHES; SEE SHEET 2 FOR DIMENSIONS IN MILLIMETERS

CUSTOMER IS RESPONSIBLE FOR DETERMINING THAT MOTOR PERFORMANCE IS SUITABLE IN THE APPLICATION

SHEET NUMBER  
**1 OF 2**

2007-27-19

REV. DESC: CHANGING ENCLOSURE TO "TOTALLY ENCLOSED" WAS "UL..."			
REV A	VERSION 01	REVISED 08 25 13 02 15/2013	TDR 000000786306
MODEL NO. 617 27-002		REF	
BY MGHWC	Material	C	

**BALDOR**

G 7U ST STD - FOOTED - SIDE/CENTER CB

617427-002

617427-002

## DUTY MASTER ALTERNATING CURRENT MOTORS

### SQUIRREL-CAGE INDUCTION

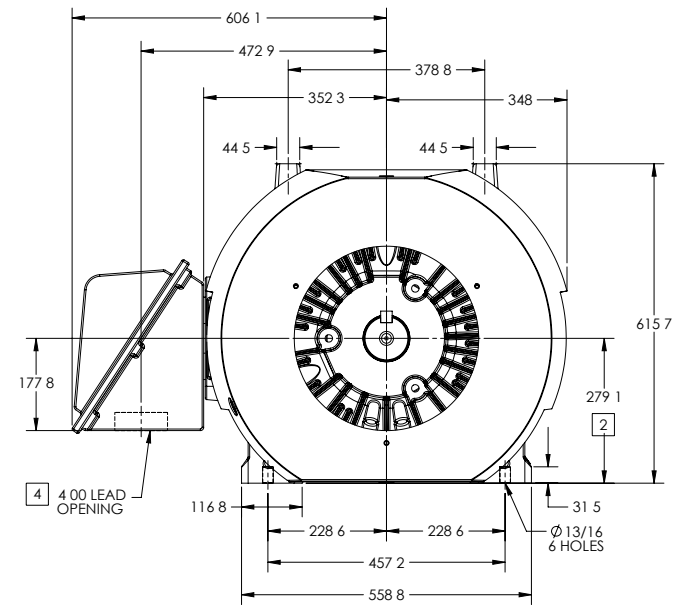
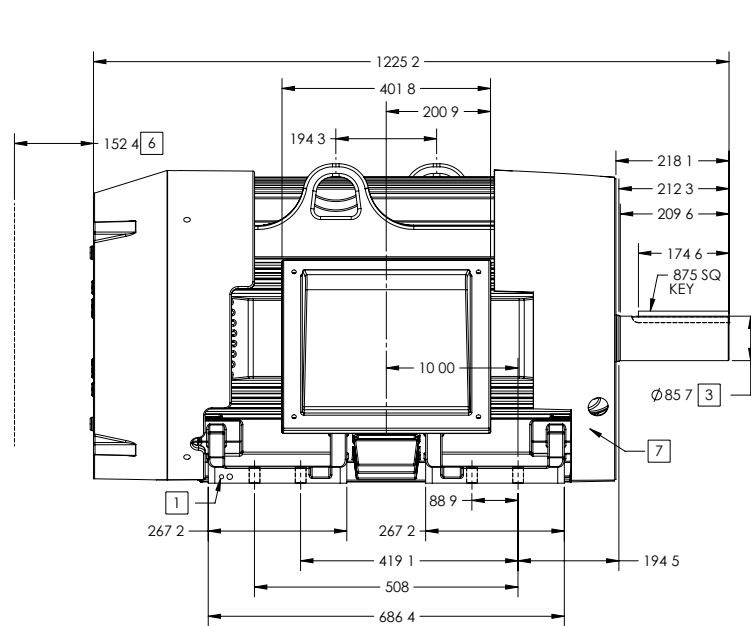
ENCLOSURE: TOTALLY ENCLOSED

FRAME G447T ABOVE NEMA RATINGS

COOLING: FAN COOLED

MOUNTING: FOOT

INCLUDES 445T FRAME MOUNTING HOLES



- 1 GROUND HOLES QTY 1 1/2-13 TAP; QTY 1 3/8-16 TAP
- 2 VARIES + 00 - 06
- 3 VARIES + 000 - 001
- 4 ON STANDARD MOTORS THIS IS CONDUIT SIZE ON XT AND CORROSION PROOF MOTOR THIS IS PIPE TAP
- 5 MOTOR WEIGHTS MAY VARY BY 15% DEPENDING ON RATING
- 6 OBSTRUCTION MUST NO ENCROACH ON AIR INLET
- 7 AIR DEFLECTOR INSTALLED WHEN REQUIRED

CONDUIT BOX LOCATED ON OPPOSITE SIDE WHEN F-2  
 IF MOUNTING CLEARANCE DETAILS ARE REQUIRED CONSULT FACTORY  
 MAXIMUM PERMISSIBLE SHAFT RUNOUT WHEN MEASURED AT END OF  
 STANDARD SHAFT EXTENSION IS .08 MM T I R TO 127 MM DIA

**5** WEIGHT (KGS): 1140

DRIVE END AIR DEFLECTOR IS ONLY INCLUDED WHEN NECESSARY

DIMENSIONS ARE IN MILLIMETERS; SEE SHEET 1 FOR DIMENSIONS IN INCHES

CUSTOMER IS RESPONSIBLE FOR DETERMINING THAT MOTOR PERFORMANCE IS SUITABLE IN THE APPLICATION

REV. DESC-CHANGING ENCLOSURE TO "TOTALLY ENCLOSED" WAS "UL..."			
REV A	VERSION 01	REVISED 08 25 13 02 15/2013	TDR 000000786306
MODEL NO. 617 27-002		REF	
BY MGHWC	Material	C	

**BALDOR**

G 7U ST STD - FOOTED - SIDE/CENTER CB

617427-002

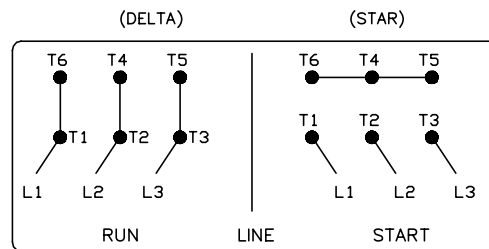
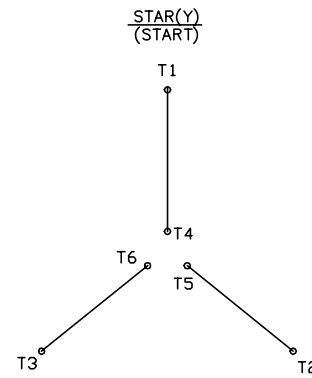
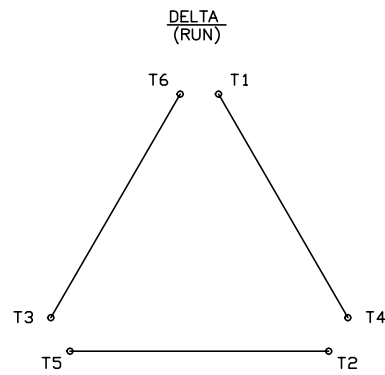
617427-002

416820-008

# A-C MOTOR CONNECTION DIAGRAM

STANDARD 6 LEAD

Y START - DELTA RUN



< N. P. 1767-DC >

REV. DESC: ADDED T4 TO Y CONNECT DIAGRAM		
REV. LTR: D	VERSION: 04	TDR: 00000847713
FILE: \RAG\00001\808	REVISED: 10: 41: 26 04/08/2014	BY: RAGJSS1
MTL: -	⊙ □	

**BALDOR**

CONNECT DIAGRAM STD 6 LEAD Y START DELTA RUN

SH 1 of 1

416820-008

Marketing maintained PDF of MN408:

[MN408?ManNumber=MN408](#)

Marketing maintained PDF of MN416:

[MN416?ManNumber=MN416](#)